



# ***XRV 612***

## **IVECO EUROCARGO 4x4**

ideal for travel and adventure tours for 2 - 3 people



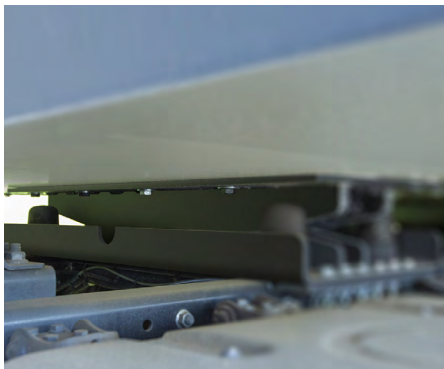




## Specifications

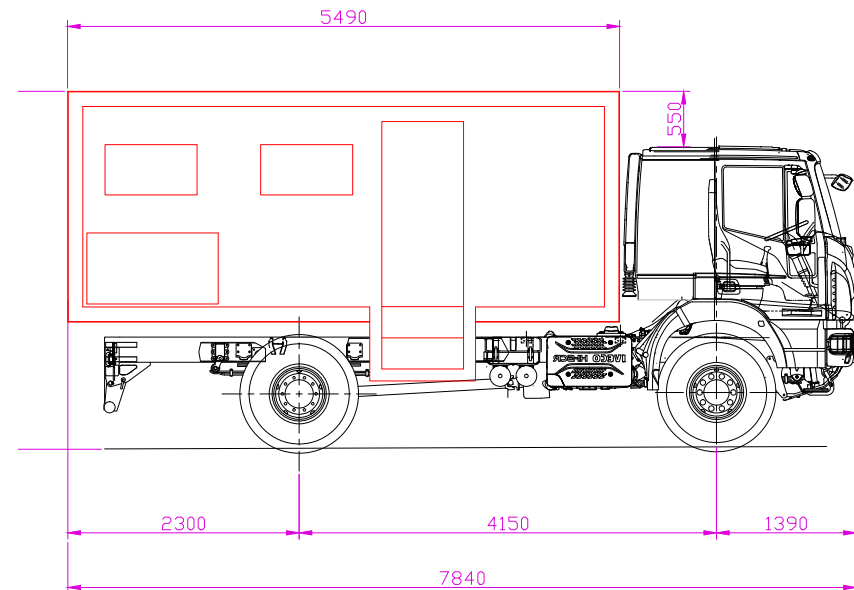
### Chassis

IVECO EURO CARGO 11.500kg 4x4  
Crew cab, 2 - 3 seats  
Legal top speed: 110 km/h  
Wheel base 4 150 mm  
6 Cylinder, 6.7 Liter, Engine performance 185 kW , Euro 6  
MAN 6-speed manual gearbox  
Transfer case with off-road gear reduction  
Differential lock in front and rear axle  
Drum brakes  
4x tires 385/80 R 20 tubeless  
1 x spare wheel 385/80 R 20 tubeless  
Fuel tank capacity 200 litres diesel  
Roof rack with massive branch guard  
4 x High Power LED beamers mounted on the front of the roof rack  
Working lights right and rear  
Integrated air conditioning  
Electronic immobilizer  
Rearview camera  
Radio set with external antenna



### Body

Dimensions of the cabin  
Outside - Length 5 490 mm, width 2 490 mm, height 2 254 mm  
Inside - Length 5 320 mm, width 2 282 mm, height 2 040 mm





## Specifications

### Body unit construction

- Fibreglass composite sandwich plate panels
- 70 mm polyurethane foam insulation walls
- Cold bridge-free
- Bottom panel with integrated welded steel frame
- Additional insulation of the floor
- Body/cabin interconnecting double door

### Entrance door and storage compartment doors

- Fibreglass composite panels doors at entrance and storage compartment
- Doors thickness 60mm
- Sealed entrance doors with heavy duty 3-point lock
- Safety cylinder locks
- Master key for all locks incl. storage boxes
- Mosquito sliding doors





## Specifications

### Windows

Alloy solid burglar-proof hinged windows, alternative Outbound windows  
Double insulated thermal window glass, scratch resistant  
Blinds with sun protection and mosquito net

### Storage compartment

Huge storage inside the body, volume 2 240 litres  
accessible from the outside  
Additional storage space in solid alloy boxes under the car

### Stairs

Inside steps with electrical folding stairs



# Interior layout



option 01



option 02



option 03





## Interior design styles

### Jazz

The JAZZ version of our interior lives it up with a varnished wood finish in a two-tone combination of your choice.



[🌐 click here for 360° view](#)

### Rock&Roll

For those who like to play hard, there is ROCK&ROLL version that combines metal in Gold or Silver with black or grey base colour.



[🌐 click here for 360° view](#)

### Indie

Are you more into a natural lifestyle? We have the INDIE version with natural plywood and earthy varnish accents of your choice.



[🌐 click here for 360° view](#)

Executions may vary accordingly to a chosen layout



## Interior details

### Seating unit

Seating area for 4 persons,  
with adjustable swivelling table on pedestal  
Seating unit converts to additional bed  
Cabinets for clothes

### Beds

Double bed with suspension, ventilation, heating,  
and comfortable mattress in the rear  
Size: 1500 mm x 2000 mm

### Bathroom

Shower and toilet room with door to isolate from living area  
Spacious shower with faucet  
Overhead cupboard with mirror  
Water flushing toilet with 60l tank for black water  
with automatic discharge  
Water heated radiator on the wall

### Kitchen

Corian countertop with integrated sink  
Single lever faucet for hot and cold water  
Induction or diesel stove with extractor hood (ventilator)  
Furniture according the catalogue  
Fridge with freezer compartment 140 litres  
Kitchen cabinets with drawers on ball-bearing full extensions  
Overhead cupboards above kitchen

### Workmanship

High end hand crafted cabinets  
Heavy duty locks and hinges  
All drawers on ball bearings



## Technical equipment

### Electrical equipment

Control panel for power management temperature and monitoring of liquid levels  
Safety cutout, fault current breaker, battery main switch  
Own, independent power supply for the body  
LiFe Po batteries, capacity 24.0 V - 400 Ah  
Power supply by inverter 230 V (50 Hz), continuous output 3 kW  
Solar system 960 Wp  
Sockets for 230 V AC  
Sockets for 5 V

### Lighting

LED lights above the table, kitchen, bed, and sanitary room  
LED reading lights in the seating area and by the bed  
LED warm backlights  
Lights in the outside storage compartment

### Air conditioning

Integrated air conditioner  
Cooling capacity 2.6 kW  
Operation via batteries or generator, or shore power

### Water supply

2 water tanks for fresh water with 2 water pumps and filters  
Tank volume 350 litres freeze-proof fresh water tank mounted inside the body  
All water installations are laid frost-proof in the heated indoor area  
11 litres hot water boiler with diesel or electric with electric heater  
Outside water connector for filling tank  
Water filtration system

### Wastewater tanks

Grey water tank, capacity 100 litres  
Black water tank, capacity 60 litres, freeze-proof mounted inside the body

### Heating system

Truma D6 E or Webasto Dual Top Evo, central heating  
6kW diesel powered or 2kW electric  
Towel radiator in the shower  
Antifrost system





David Cisar  
info@xrvadventures.com  
+420 602 260 261  
Czech Republic, Prague